

HELPMAN

Air cooled Condensers

HTC

New condenser generation with better performance

Capacities 9 - 1060 kW



Ripple Fin® tubing

Floating coil block suspension

Eurovent certified

**Capacities based on
ENV 327 voor R404A**

EUROVENT
CERTIFIED PERFORMANCE



CERTIFY-ALL

*DX Air Coolers
Air Cooled Condensers
Dry Coolers

Air Cooled Condensers

HTC

Contents

Page	
3	General information
4 - 11	Nominal duty air flow, sound levels technical data, dimensions
12	Fan types Fan motors
13	Capacity calculation Correction factors
14	Extended feet Additional information

Certified by Eurovent

HTC aircooled condensers are tested and certified by Eurovent according to ENV 327 European standard.

This extensive testing procedure comprises :

- capacities under standardised conditions
- air flow data
- sound levels
- fan capacities

Type indication

Example : **HTC 076 . 124 - 930**

- HTC** : Aircooled condenser with Cu/Al coil block
- 076** : Condenser type
There are 5 basic types with different fan diameters
- 1••** : Number of separated coils
- 2•** : Number of fans per coil
- 4** : Number of tube rows in air direction
- 930** : Fan speed

Air Cooled Condensers

HTC



General

The HTC aircooled condenser range includes 5 basic types covering a total of 137 models with 1 to 12 fans and duties from 9 to 1060 kW at 15 K temperature difference.

Design

Coil block	: Copper Ripple Fin® tubing with aluminium fins.
Tube diameter	: 1/2"
Tube pitch	: 50 x 50 mm triangle
Fin spacing	: 2.25 mm

Other fin spacings up to 4 mm available on request.

Coil blocks are pressure tested at 28 bar dry air.

Casing and framework are of pregalvanised sheet steel (Sendzimir) with an epoxy coating on both sides. Colour scheme: light-grey RAL 7035, mounting feet models 076, 090, 091 and 100, dark-grey RAL 7016. Other colours are available at an extra price. All condensers are provided with removable header panels.

Floating construction of the condenser coil block. On request the condensers can be fitted with inspection hatches (extra price).

Air direction

Condensers type HTC can be supplied for horizontal or vertical air flow.

Condenser models 050 :

Standard horizontal air flow, vertical air flow with special refrigerant circuiting. All models are fitted with mounting profiles.

Condenser models 076, 090, 091 and 100 :

Standard vertical air flow. On request also available for horizontal air flow.

When ordering without air flow indication, the standard execution will be supplied.

Corrosion protection

The standard condensers have a high corrosion resistance through selected materials, surface treatment and construction. For application in aggressive surroundings (coastal-and industrial areas) following designs are available at an extra charge:

- fins of seawater resistant aluminium alloy (57S/5052)
- fins of prepainted aluminium
- finned coil coated after assembling

Application as liquid cooler (Dry - Cooler)

The condenser can also be used as liquid cooler, for instance cooling down of cooling water in watercooled plants.

Technical information on request, see brochure nr. 53.08 (Dry Coolers HTD).

Air Cooled Condensers

HTC

Capacities HTC 1..

Type	Capacity kW	Airflow m ³ /h	dB(A)	Capacity kW	Airflow m ³ /h	dB(A)	Cap.	AirflowdB(A)	Cap.	AirflowdB(A)				
HTC	H	H	H	H L	H L	H/L	kW	m ³ /h	kW	m ³ /h				
HTC 050	n = 910 rpm			n = 1420 rpm			n = 690 rpm			n = 470 rpm				
050 . 112 - ...	14.0	5030	44	16.3	6640	55	12.5	4100	40	9.3	2530	31		
050 . 113 - ...	17.6	4860	44	20.9	6400	55	16.1	3950	40	11.1	2380	31		
050 . 114 - ...	19.8	4660	44	23.9	6200	55	16.4	3620	40	11.5	2160	31		
050 . 122 - ...	28.3	10100	47	33.0	13300	58	25.1	8200	43	18.5	5050	34		
050 . 123 - ...	37.3	9730	47	44.5	12800	58	32.4	7900	43	22.4	4770	34		
050 . 124 - ...	39.7	9310	47	48.2	12400	58	35.0	7240	43	23.0	4320	34		
050 . 132 - ...	45.1	15100	49	46.3	19900	60	40.0	12300	45	29.2	7580	36		
050 . 133 - ...	56.2	14600	49	67.1	19200	60	48.8	11900	45	34.6	7150	36		
050 . 134 - ...	62.5	14000	49	76.4	18600	60	51.6	10900	45	35.2	6480	36		
050 . 143 - ...	75.1	19500	50	89.8	25600	61	66.6	15800	46	46.1	9540	37		
050 . 144 - ...	85.3	18600	50	96.5	24800	61	70.5	14500	46	46.1	8640	37		
HTC 076	n = 930 rpm			n = 935 / 425 rpm			n = 690 rpm			n = 325 rpm				
076 . 112 - ...	36.8	14700	53	36.8	22.8	14700	7280	53/39	30.4	10400	46	20.2	6000	33
076 . 113 - ...	47.6	13900	53	47.6	28.3	13900	7110	53/39	38.2	9790	46	22.9	5300	33
076 . 114 - ...	52.1	13100	53	52.1	31.9	13100	6950	53/39	43.0	9290	46	23.1	4650	33
076 . 122 - ...	74.0	29300	56	74.0	48.5	29300	14600	56/42	60.9	20700	49	40.4	12000	36
076 . 123 - ...	96.0	27700	56	96.0	59.0	27700	14200	56/42	76.3	19600	49	45.8	10600	36
076 . 124 - ...	110.7	26200	56	110.7	64.2	26200	13900	56/42	86.4	18600	49	46.2	9300	36
076 . 132 - ...	115.0	44000	58	115.0	70.7	44000	21900	58/44	94.3	31100	51	60.6	18000	38
076 . 133 - ...	144.1	41600	58	144.1	88.1	41600	21300	58/44	119.5	29400	51	68.7	15900	38
076 . 134 - ...	161.1	39400	58	161.1	97.0	39400	20900	58/44	126.3	27900	51	69.3	13950	38
076 . 142 - ...	141.2	58600	59	141.2	97.6	58600	29100	59/45	129.9	41500	52	80.8	24000	39
076 . 143 - ...	199.0	55400	59	199.0	116.4	55400	28400	59/45	158.0	39200	52	91.6	21200	39
076 . 144 - ...	222.1	52500	59	222.1	127.0	52500	27800	59/45	173.0	37200	52	92.4	18600	39
076 . 152 - ...	185.8	73300	60	185.8	123.8	73300	36400	60/46	152.5	51800	53	101.0	30000	40
076 . 153 - ...	247.4	69300	60	247.4	148.3	69300	35600	60/46	200.9	49000	53	114.5	26500	40
076 . 154 - ...	281.7	65600	60	281.7	161.5	65600	34800	60/46	219.8	46400	53	115.5	23250	40
076 . 162 - ...	230.8	87900	61	230.8	141.6	87900	43700	61/47	188.9	62200	54	121.2	36000	41
076 . 163 - ...	301.3	83200	61	301.3	179.1	83200	42700	61/47	229.9	58700	54	137.4	31800	41
076 . 164 - ...	322.9	78700	61	322.9	194.3	78700	41700	61/47	252.7	55700	54	138.6	27900	41

H = High fan speed

L = Low fan speed

Air Cooled Condensers

HTC

Capacities HTC 1..

Type HTC	Capacity kW		Airflow m ³ /h		dB(A) H/L	Capacity kW		Airflow m ³ /h		dB(A) H/L	Capacity kW		Airflow m ³ /h		dB(A) H/L
	H	L	H	L		H	L	H	L		H	L	H	L	
HTC 090	n = 850 / 610 rpm					n = 680 / 520 rpm					n = 860 / 660 rpm				
090 . 112 - ...	58.7	50.6	30700	22700	56/49	51.5	47.1	23400	17200	51/45	49.5	46.6	21700	16900	53/47
090 . 113 - ...	78.3	69.3	28500	21100	56/49	69.8	58.4	21400	15900	51/45	68.5	57.7	20700	15500	53/47
090 . 114 - ...	88.5	79.1	26600	19800	56/49	78.8	65.2	19800	14800	51/45	78.8	64.0	19800	14400	53/47
090 . 122 - ...	117.9	110.0	61500	45400	59/52	111.9	95.2	46900	34400	54/48	107.4	94.1	43300	33700	56/50
090 . 123 - ...	165.6	140.0	57000	42200	59/52	141.0	118.0	42800	31800	54/48	138.3	116.1	41400	31000	56/50
090 . 124 - ...	191.4	159.1	53300	39600	59/52	158.6	134.2	39500	29600	54/48	158.6	131.7	39500	28900	56/50
090 . 132 - ...	182.9	166.0	92200	68000	61/54	168.7	143.3	70300	51600	56/50	162.0	141.6	65000	50600	58/52
090 . 133 - ...	249.7	210.5	85400	63300	61/54	212.2	177.1	64100	47800	56/50	208.0	174.5	62100	46600	58/52
090 . 134 - ...	288.4	238.5	79900	59500	61/54	238.7	203.9	59300	44400	56/50	238.7	199.8	59300	43300	58/52
090 . 142 - ...	257.9	221.8	122900	90700	62/55	225.7	191.4	93800	68800	57/51	216.5	189.1	86600	67400	59/53
090 . 143 - ...	333.6	281.3	113900	84500	62/55	283.5	244.3	85500	63700	57/51	278.0	240.2	82800	62100	59/53
090 . 144 - ...	385.4	329.0	106500	79300	62/55	328.6	270.0	79000	59200	57/51	328.6	265.5	79000	57700	59/53
090 . 152 - ...	313.0	268.7	153700	113400	63/56	273.5	245.8	117200	86000	58/52	262.4	243.0	108300	84300	60/54
090 . 153 - ...	404.6	361.6	142400	105600	63/56	364.0	304.4	106900	79600	58/52	357.6	299.4	103500	77600	60/54
090 . 154 - ...	494.9	409.7	133200	99100	63/56	409.2	335.6	98800	74000	58/52	409.2	329.6	98800	72100	60/54
HTC 091	n = 850 / 610 rpm					n = 680 / 520 rpm					n = 860 / 660 rpm				
091 . 112 - ...	70.4	60.3	32200	23700	56/49	61.9	52.1	24900	18100	51/45	58.2	51.4	22300	17700	53/47
091 . 113 - ...	93.0	77.8	30300	22400	56/49	81.0	67.5	23800	17000	51/45	76.0	66.5	21500	16600	53/47
091 . 114 - ...	105.5	86.7	28700	21200	56/49	87.7	74.8	21600	16000	51/45	89.8	73.6	20800	15600	53/47
091 . 122 - ...	142.0	121.3	64300	47400	59/52	124.5	104.5	49800	36300	54/48	117.1	103.1	44500	35400	56/50
091 . 123 - ...	183.7	153.5	60600	44700	59/52	159.6	136.2	47700	33900	54/48	158.2	134.1	43000	33100	56/50
091 . 124 - ...	211.4	183.4	57400	42500	59/52	185.0	150.8	43100	32100	54/48	181.1	147.6	41600	31300	56/50
091 . 132 - ...	218.2	186.3	96500	71100	61/54	191.2	166.3	74700	54400	56/50	179.9	164.0	66800	53100	58/52
091 . 133 - ...	281.9	244.2	90800	67100	61/54	254.0	204.7	71500	50900	56/50	238.1	201.3	64400	49700	58/52
091 . 134 - ...	335.9	276.3	86100	63700	61/54	278.9	226.2	64700	48100	56/50	271.8	221.9	62400	46900	58/52
091 . 142 - ...	285.1	243.0	128600	94800	62/55	249.7	222.5	99600	72600	57/51	249.0	219.3	89000	70800	59/53
091 . 143 - ...	368.0	326.6	121100	89500	62/55	339.1	273.4	95400	67900	57/51	318.3	268.9	85900	66200	59/53
091 . 144 - ...	449.4	367.8	114700	85000	62/55	372.6	308.2	86300	64100	57/51	363.1	302.5	83200	62600	59/53
091 . 152 - ...	370.9	316.4	160800	118500	63/56	324.8	272.4	124500	90700	58/52	305.4	268.3	111300	88500	60/54
091 . 153 - ...	478.7	399.6	151400	111800	63/56	415.5	335.3	119200	84900	58/52	389.4	342.1	107400	82800	60/54
091 . 154 - ...	549.5	450.9	143400	106200	63/56	456.2	384.9	107800	80200	58/52	461.8	377.2	104000	78200	60/54
HTC 100	n = 670 / 520 rpm					n = 420 / 310 rpm					n = 380 / 250 rpm				
100 . 112 - ...	59.0	49.8	27400	19900	59/47	48.7	41.2	19000	13500	42/34	45.0	35.2	17000	10800	39/29
100 . 113 - ...	74.8	61.4	25100	18100	59/47	62.0	47.4	16700	11700	42/34	56.0	38.3	14500	9000	39/29
100 . 114 - ...	89.5	73.3	23300	16200	59/47	66.5	-	14300	-	42	59.0	-	13000	-	39
100 . 122 - ...	118.7	100.0	54700	39900	62/50	103.2	78.7	38000	27000	45/37	95.5	70.7	34000	21600	42/32
100 . 123 - ...	149.9	129.9	50100	36200	62/50	124.8	95.4	33400	23400	45/37	112.3	78.7	29000	18000	42/32
100 . 124 - ...	189.3	147.9	46500	32300	62/50	135.9	-	28600	-	45	120.8	-	26000	-	42
100 . 132 - ...	166.4	159.5	82100	59800	64/52	155.5	124.9	57000	40500	47/39	143.7	106.0	51000	32400	44/34
100 . 133 - ...	238.8	195.6	75200	54300	64/52	187.8	143.4	50100	35100	47/39	169.0	118.2	43500	27000	44/34
100 . 134 - ...	285.2	221.7	69800	48500	64/52	199.6	-	42900	-	47	176.8	-	39000	-	44
100 . 142 - ...	238.1	200.6	109500	79700	65/53	195.5	157.7	76000	54000	48/40	180.6	144.8	68000	43200	45/35
100 . 143 - ...	319.4	260.6	100200	72400	65/53	250.8	191.4	66800	46800	48/40	230.5	156.9	58000	36000	45/35
100 . 144 - ...	381.1	302.6	93100	64700	65/53	272.4	-	57200	-	48	241.3	-	52000	-	45
100 . 152 - ...	310.1	260.8	136900	99600	66/54	262.2	204.2	95000	67500	49/41	234.8	173.6	85000	54000	46/36
100 . 153 - ...	390.9	318.9	125300	90500	66/54	319.2	243.3	83500	58500	49/41	287.1	198.6	72500	45000	46/36
100 . 154 - ...	484.8	377.6	116300	80800	66/54	339.9	-	71500	-	49	305.0	-	65000	-	46

H = High fan speed

L = Low fan speed

Note : Actual fan speed may differ from the values as indicated on the motor name plate.

Air Cooled Condensers

HTC

Technical Data HTC 1••

Type HTC	Refrigerant conn. mm	Int. vol. dm ³	Sur- face m ²	Weight kg	Dimensions mm			
					A	B	C	D
HTC 050 n = 910 rpm								
050.112-...	1 x 22	5	47	43				
050.113-...	1 x 22	7	70	52	1060	830		
050.114-...	1 x 22	9	93	61				
050.122-...	1 x 22	8	93	84				
050.123-...	1 x 28	12	140	101	1860	1630		
050.124-...	1 x 28	16	187	118				
050.132-...	1 x 28	11	140	125				
050.133-...	1 x 35	16	210	150	2660	2430		
050.134-...	1 x 35	22	280	176				
050.143-...	1 x 35	24	280	203				
050.144-...	1 x 42	31	373	237	3460	3230		
HTC 076 n = 930 rpm								
076.112-...	1 x 28	9	102	128				
076.113-...	1 x 28	13	153	146	2000	1340		1x1400
076.114-...	1 x 28	17	204	165				
076.122-...	1 x 35	16	204	253				
076.123-...	1 x 42	24	306	290	3400	2740		2x1400
076.124-...	1 x 42	31	408	326				
076.132-...	1 x 42	25	306	381				
076.133-...	1 x 54	36	459	436	4800	4140		3x1400
076.134-...	1 x 54	49	612	492				
076.142-...	1 x 54	32	408	506				
076.143-...	1 x 54	48	612	580	6200	5540	2740	4x1400
076.144-...	1 x 67	63	817	653				
076.152-...	1 x 54	39	510	632				
076.153-...	1 x 67	58	766	723	7600	6940	4140	5x1400
076.154-...	1 x 67	77	1021	814				
076.162-...	1 x 67	46	612	757				
076.163-...	1 x 67	69	919	866	9000	8340	4140	6x1400
076.164-...	1 x 67	91	1225	974				
HTC 090 n = 850 / 610 rpm								
090.112-...	1 x 28	10	122	230				
090.113-...	1 x 35	16	184	253	2000	1340		1x1400
090.114-...	1 x 35	21	245	275				
090.122-...	1 x 42	19	245	458				
090.123-...	1 x 54	28	367	501	3400	2740		2x1400
090.124-...	1 x 54	38	490	545				
090.132-...	1 x 54	30	367	688				
090.133-...	1 x 67	44	551	755	4800	4140		3x1400
090.134-...	1 x 67	59	735	821				
090.142-...	1 x 67	38	490	916				
090.143-...	1 x 80	57	735	1003	6200	5540	2740	4x1400
090.144-...	1 x 80	76	980	1091				
090.152-...	1 x 67	46	612	1143				
090.153-...	1 x 80	70	919	1252	7600	6940	4140	5x1400
090.154-...	1 x 80	93	1226	1361				

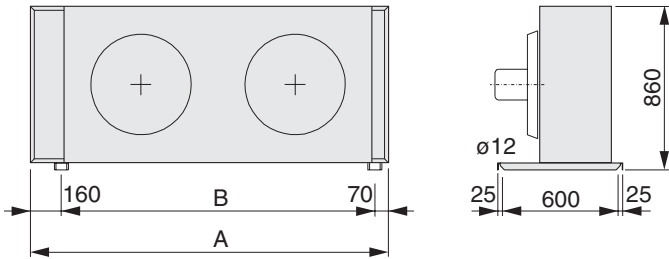
Technical Data HTC 1••

Type HTC	Refrigerant conn. mm	Int. vol. dm ³	Sur- face m ²	Weight kg	Dimensions mm			
					A	B	C	D
HTC 091 n = 850 / 610 rpm								
091.112-...	1 x 35	13	152	251				
091.113-...	1 x 42	19	228	279	2350	1690		1x1750
091.114-...	1 x 42	25	304	307				
091.122-...	1 x 54	25	304	502				
091.123-...	1 x 54	38	457	558	4100	3440		2x1750
091.124-...	1 x 54	51	607	614				
091.132-...	1 x 67	36	455	750				
091.133-...	1 x 67	54	685	832	5850	5190		3x1750
091.134-...	1 x 80	72	911	915				
091.142-...	1 x 67	46	607	998				
091.143-...	1 x 80	70	913	1107	7600	6940	3440	4x1750
091.144-...	1 x 80	93	1214	1216				
091.152-...	1 x 80	57	759	1246				
091.153-...	1 x 80	86	1142	1382	9350	8690	5190	5x1750
091.154-...	1 x 80	114	1518	1518				
HTC 100 n = 670 / 520 rpm								
100.112-...	1 x 35	13	152	251				
100.113-...	1 x 35	19	228	279	2350	1690		1x1750
100.114-...	1 x 42	25	304	307				
100.122-...	1 x 42	25	304	502				
100.123-...	1 x 54	38	457	558	4100	3440		2x1750
100.124-...	1 x 54	51	607	614				
100.132-...	1 x 54	36	455	750				
100.133-...	1 x 67	54	685	832	5850	5190		3x1750
100.134-...	1 x 67	72	911	915				
100.142-...	1 x 67	46	607	998				
100.143-...	1 x 67	70	913	1107	7600	6940	3440	4x1750
100.144-...	1 x 80	93	1214	1216				
100.152-...	1 x 67	57	759	1246				
100.153-...	1 x 80	86	1142	1382	9350	8690	5190	5x1750
100.154-...	1 x 80	114	1518	1518				
HTC 100 n = 420 / 310 rpm								
100.112-...	1 x 35	13	152	251				
100.113-...	1 x 35	19	228	279	2350	1690		1x1750
100.114-...	1 x 35	25	304	307				
100.122-...	1 x 42	25	304	502				
100.123-...	1 x 54	38	457	558	4100	3440		2x1750
100.124-...	1 x 54	51	607	614				
100.132-...	1 x 54	36	455	750				
100.133-...	1 x 54	54	685	832	5850	5190		3x1750
100.134-...	1 x 54	72	911	915				
100.142-...	1 x 54	46	607	998				
100.143-...	1 x 67	70	913	1107	7600	6940	3440	4x1750
100.144-...	1 x 67	93	1214	1216				
100.152-...	1 x 67	57	759	1246				
100.153-...	1 x 67	86	1142	1382	9350	8690	5190	5x1750
100.154-...	1 x 80	114	1518	1518				

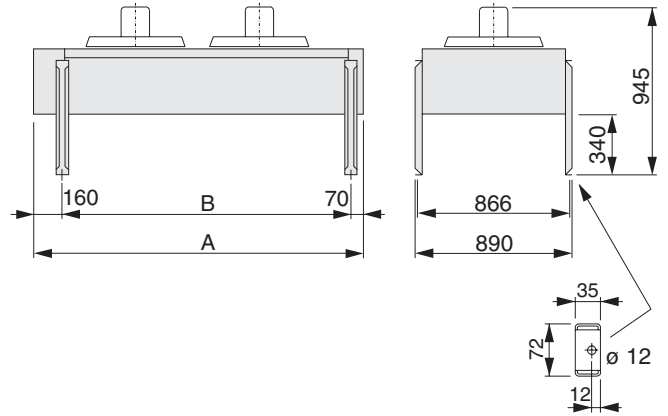
Air Cooled Condensers

HTC

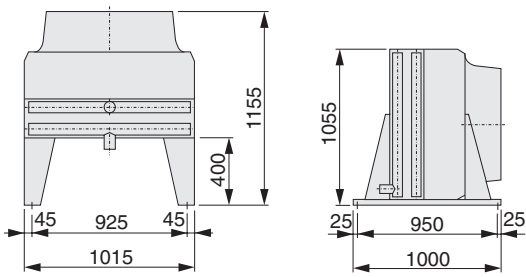
HTC 050 . 1•• Horizontal Air Direction



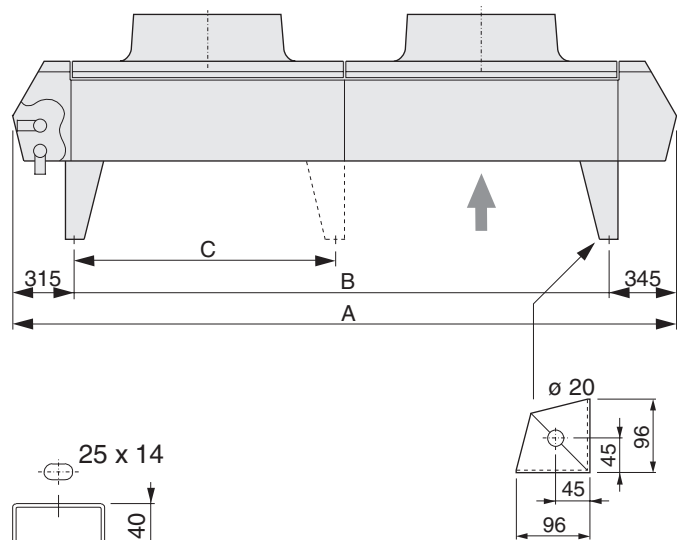
HTC 050 . 1•• Vertical Air Direction



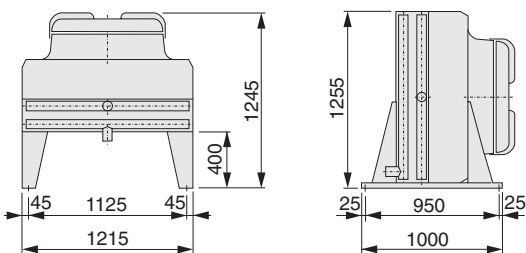
HTC 076 . 1••



HTC 076 / 090 / 091 / 100 . 1••
Vertical Air Direction

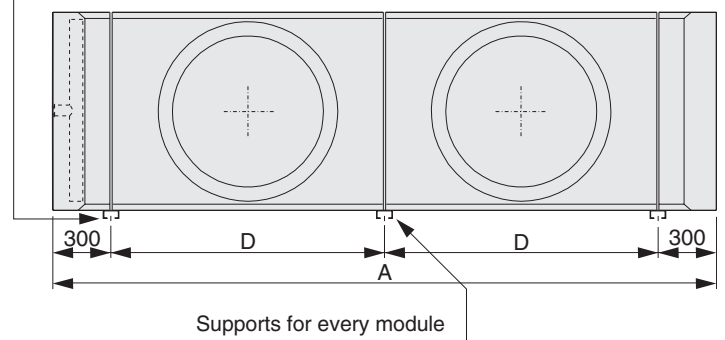
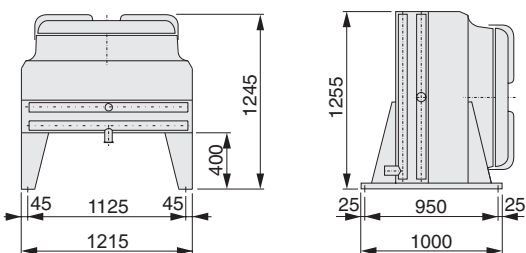


HTC 090 / 091 . 1••



HTC 076 / 090 / 091 / 100 . 1••
Horizontal Air Direction

HTC 100 . 1••



Air Cooled Condensers

HTC

Capacities HTC 2..

Type	Capacity kW	Airflow m ³ /h	dB(A)	Capacity kW	Airflow m ³ /h	dB(A)	Cap.	AirflowdB(A)	Cap.	AirflowdB(A)				
HTC	H	H	H	H L	H L	H/L	kW	m ³ /h	kW	m ³ /h				
HTC 050														
<hr/>														
<hr/>														
HTC 076	n = 930 rpm			n = 935 / 425 rpm			n = 690 rpm			n = 325 rpm				
076 . 212 - ...	73.6	29300	56	73.6	45.7	29300	14600	56/42	60.6	20700	49	40.4	12000	36
076 . 213 - ...	95.2	27700	56	95.2	56.6	27700	14200	56/42	76.2	19600	49	45.8	10600	36
076 . 214 - ...	104.3	26200	56	104.3	63.9	26200	13900	56/42	85.8	18600	49	46.2	9300	36
076 . 222 - ...	148.1	58600	59	148.1	96.9	58600	29100	59/45	121.8	41500	52	80.8	24000	39
076 . 223 - ...	191.6	55400	59	191.6	117.8	55400	28400	59/45	152.8	39200	52	91.6	21200	39
076 . 224 - ...	221.2	52500	59	221.2	128.3	52500	27800	59/45	172.7	37200	52	92.4	18600	39
076 . 232 - ...	229.9	87900	61	229.9	141.4	87900	43700	61/47	188.6	62200	54	121.2	36000	41
076 . 233 - ...	288.3	83200	61	288.3	176.2	83200	42700	61/47	238.9	58700	54	137.4	31800	41
076 . 234 - ...	322.2	78700	61	322.2	194.1	78700	41700	61/47	252.4	55700	54	138.6	27900	41
076 . 242 - ...	282.5	117200	62	282.5	195.1	117200	58300	62/48	259.9	82900	55	161.6	48000	42
076 . 243 - ...	397.8	110900	62	397.8	232.9	110900	56900	62/48	316.0	78300	55	183.2	42400	42
076 . 244 - ...	444.4	104900	62	444.4	254.0	104900	55600	62/48	345.9	74300	55	184.8	37200	42
076 . 252 - ...	371.8	146500	63	371.8	247.4	146500	72800	63/49	304.8	103700	56	202.0	60000	43
076 . 253 - ...	476.0	138600	63	476.0	296.7	138600	71100	63/49	402.0	97900	56	229.0	53000	43
076 . 254 - ...	563.5	131200	63	563.5	323.0	131200	69500	63/49	439.4	92900	56	231.0	46500	43
076 . 262 - ...	461.6	175800	64	461.6	283.3	175800	87400	64/50	377.6	124400	57	242.4	72000	44
076 . 263 - ...	602.6	166300	64	602.6	358.3	166300	85300	64/50	460.0	117500	57	274.8	63600	44
076 . 264 - ...	645.8	157400	64	645.8	388.5	157400	83500	64/50	505.5	111500	57	277.2	55800	44

H = High fan speed

L = Low fan speed

Air Cooled Condensers

HTC

Capacities HTC 2..

Type HTC	Capacity kW		Airflow m ³ /h		dB(A) H/L	Capacity kW		Airflow m ³ /h		dB(A) H/L	Capacity kW		Airflow m ³ /h		dB(A) H/L
	H	L	H	L		H	L	H	L		H	L	H	L	
HTC 090	n = 850 / 610 rpm					n = 680 / 520 rpm					n = 860 / 660 rpm				
090 . 212 - ...	117.3	101.3	61400	45400	60/53	103.0	94.2	46800	34400	55/49	99.0	93.2	43400	33800	57/51
090 . 213 - ...	156.6	138.5	57000	42200	60/53	139.6	116.9	42800	31800	55/49	137.1	115.4	41400	31000	57/51
090 . 214 - ...	177.0	158.3	53200	39600	60/53	157.7	130.4	39600	29600	55/49	157.7	127.9	39600	28800	57/51
090 . 222 - ...	235.9	220.1	123000	90800	63/56	223.8	190.3	93800	68800	58/52	214.9	188.2	86600	67400	60/54
090 . 223 - ...	331.1	280.0	114000	84400	63/56	282.0	236.1	85600	63600	58/52	276.6	232.1	82800	62000	60/54
090 . 224 - ...	382.7	318.2	106600	79200	63/56	317.2	268.3	79000	59200	58/52	317.2	263.3	79000	57800	60/54
090 . 232 - ...	365.9	332.0	184400	136000	65/58	337.4	286.6	140600	103200	60/54	324.1	283.3	130000	101200	62/56
090 . 233 - ...	499.4	421.0	170800	126600	65/58	424.3	354.2	128200	95600	60/54	416.0	349.0	124200	93200	62/56
090 . 234 - ...	576.8	477.6	159800	119000	65/58	477.4	407.9	118600	88800	60/54	477.4	399.6	118600	86600	62/56
090 . 242 - ...	515.8	443.7	245800	181400	66/59	451.4	382.7	187600	137600	61/55	433.1	378.1	173200	134800	63/57
090 . 243 - ...	667.3	562.6	227800	169000	66/59	567.0	488.6	171000	127400	61/55	556.0	480.5	165600	124200	63/57
090 . 244 - ...	770.8	657.9	213000	158600	66/59	657.3	540.0	158000	118400	61/55	657.3	531.0	158000	115400	63/57
090 . 252 - ...	626.1	537.5	307400	226800	67/60	547.0	491.5	234400	172000	62/56	524.8	486.1	216600	168600	64/58
090 . 253 - ...	809.1	723.2	284800	211200	67/60	728.0	608.8	213800	159200	62/56	715.1	598.8	207000	155200	64/58
090 . 254 - ...	989.5	819.3	266400	198200	67/60	818.5	671.2	197600	148000	62/56	818.5	659.2	197600	144200	64/58
HTC 090	n = 850 / 610 rpm					n = 680 / 520 rpm					n = 860 / 660 rpm				
091 . 212 - ...	140.8	120.6	64400	47400	60/53	123.8	104.2	49800	36200	55/49	116.5	102.8	44600	35400	57/51
091 . 213 - ...	186.0	155.6	60600	44800	60/53	162.0	135.0	47600	34000	55/49	152.0	132.9	43000	33200	57/51
091 . 214 - ...	210.9	173.5	57400	42400	60/53	175.3	149.6	43200	32000	55/49	179.5	147.3	41600	31200	57/51
091 . 222 - ...	283.9	242.5	128600	94800	63/56	249.0	209.0	99600	72600	58/52	234.2	206.1	89000	70800	60/54
091 . 223 - ...	367.3	307.0	121200	89400	63/56	319.3	272.5	95400	67800	58/52	316.4	268.1	86000	66200	60/54
091 . 224 - ...	422.9	366.7	114800	85000	63/56	370.0	301.6	86200	64200	58/52	362.1	295.2	83200	62600	60/54
091 . 232 - ...	436.4	372.5	193000	142200	65/58	382.3	332.6	149400	108800	60/54	359.8	328.0	133600	106200	62/56
091 . 233 - ...	563.9	488.4	181600	134200	65/58	507.9	409.3	143000	101800	60/54	476.1	402.7	128800	99400	62/56
091 . 234 - ...	671.8	552.7	172200	127400	65/58	557.9	452.4	129400	96200	60/54	543.5	443.9	124800	93800	62/56
091 . 242 - ...	570.1	486.1	257200	189600	66/59	499.4	444.9	199200	145200	61/55	498.0	438.7	178000	141600	63/57
091 . 243 - ...	735.9	653.1	242200	179000	66/59	678.3	546.8	190800	135800	61/55	636.7	537.9	171800	132400	63/57
091 . 244 - ...	898.8	735.7	229400	170000	66/59	745.3	616.3	172600	128200	61/55	726.1	605.1	166400	125200	63/57
091 . 252 - ...	741.7	632.7	321600	237000	67/60	649.6	544.8	249000	181400	62/56	610.9	536.6	222600	177000	64/58
091 . 253 - ...	957.4	799.1	302800	223600	67/60	831.0	670.6	238400	169800	62/56	778.8	684.1	214800	165600	64/58
091 . 254 - ...	1099.1	901.9	286800	212400	67/60	912.5	769.8	215600	160400	62/56	923.5	754.4	208000	156400	64/58
HTC 100	n = 670 / 520 rpm					n = 420 / 310 rpm					n = 380 / 250 rpm				
100 . 212 - ...	118.0	99.6	54700	39900	62/50	97.3	82.4	38000	27000	45/37	90.1	70.3	34000	21600	42/32
100 . 213 - ...	149.4	122.8	50100	36200	62/50	124.0	94.8	33400	23400	45/37	111.9	76.5	29000	18000	42/32
100 . 214 - ...	179.0	146.7	46500	32300	62/50	132.9	-	28600	-	45	117.9	-	26000	-	42
100 . 222 - ...	237.3	200.2	109500	79700	65/53	206.3	157.5	76000	54000	48/40	190.9	141.4	68000	43200	45/35
100 . 223 - ...	299.8	259.8	100200	72400	65/53	249.6	190.7	66800	46800	48/40	224.6	157.5	58000	36000	45/35
100 . 224 - ...	378.6	295.7	93100	64700	65/53	271.9	-	57200	-	48	241.7	-	52000	-	45
100 . 232 - ...	332.8	319.0	164200	119600	67/55	311.0	249.7	114000	81000	50/42	287.5	212.0	102000	64800	47/37
100 . 233 - ...	477.6	391.2	150400	108600	67/55	375.6	286.8	100200	70200	50/42	338.0	236.5	87000	54000	47/37
100 . 234 - ...	570.3	443.4	139600	97000	67/55	399.2	-	85800	-	50	353.6	-	78000	-	47
100 . 242 - ...	476.1	401.2	219000	159400	68/56	391.0	315.3	152000	108000	51/43	361.3	289.5	136000	86400	48/38
100 . 243 - ...	638.8	521.2	200500	144800	68/56	501.7	382.7	133600	93600	51/43	460.9	313.9	116000	72000	48/38
100 . 244 - ...	762.1	605.4	186100	129300	68/56	544.8	-	114400	-	51	482.6	-	104000	-	48
100 . 252 - ...	620.3	521.8	273700	199300	69/57	524.4	408.3	190000	135000	52/44	469.7	347.2	170000	108000	49/39
100 . 253 - ...	782.0	637.7	250600	181000	69/57	638.4	486.5	167000	117000	52/44	574.3	397.3	145000	90000	49/39
100 . 254 - ...	969.8	755.4	232700	161600	69/57	679.7	-	143000	-	52	610.1	-	130000	-	49

H = High fan speed

L = Low fan speed

Note : Actual fan speed may differ from the values as indicated on the motor name plate.

Air Cooled Condensers

HTC

Technical Data HTC 2••

Type	Refrigerant conn. mm	Int. vol. dm ³	Sur-face m ²	Weight kg	Dimensions mm			
					A	B	C	D
HTC 050								
HTC 076 n = 930 rpm								
076.212-...	2 x 28	17	204	255				
076.213-...	2 x 28	26	306	293	2000	1340		1x1400
076.214-...	2 x 28	35	408	330				
076.222-...	2 x 35	31	408	506				
076.223-...	2 x 42	47	612	579	3400	2740		2x1400
076.224-...	2 x 42	63	817	652				
076.232-...	2 x 42	49	612	762				
076.233-...	2 x 54	74	919	873	4800	4140		3x1400
076.234-...	2 x 54	99	1225	984				
076.242-...	2 x 54	63	817	1013				
076.243-...	2 x 54	95	1225	1159	6200	5540	2740	4x1400
076.244-...	2 x 67	127	1633	1305				
076.252-...	2 x 54	77	1021	1264				
076.253-...	2 x 67	116	1531	1445	7600	6940	4140	5x1400
076.254-...	2 x 67	155	2042	1627				
076.262-...	2 x 67	91	1225	1514				
076.263-...	2 x 67	137	1837	1732	9000	8340	4140	6x1400
076.264-...	2 x 67	183	2450	1949				
HTC 090 n = 850 / 610 rpm								
090.212-...	2 x 28	21	245	460				
090.213-...	2 x 35	31	367	505	2000	1340		1x1400
090.214-...	2 x 35	42	490	551				
090.222-...	2 x 42	38	490	915				
090.223-...	2 x 54	57	735	1003	3400	2740		2x1400
090.224-...	2 x 54	76	980	1091				
090.232-...	2 x 54	59	735	1376				
090.233-...	2 x 67	89	1102	1509	4800	4140		3x1400
090.234-...	2 x 67	118	1470	1642				
090.242-...	2 x 67	76	980	1831				
090.243-...	2 x 80	114	1470	2007	6200	5540	2740	4x1400
090.244-...	2 x 80	152	1960	2182				
090.252-...	2 x 67	93	1225	2286				
090.253-...	2 x 80	139	1837	2504	7600	6940	4140	5x1400
090.254-...	2 x 80	186	2450	2722				

Technical Data HTC 2••

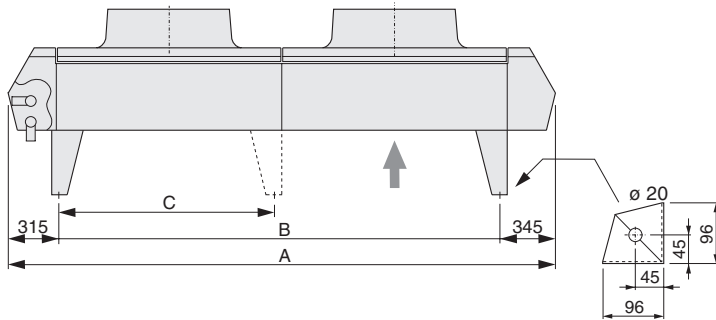
Type	Refrigerant conn. mm	Int. vol. dm ³	Sur-face m ²	Weight kg	Dimensions mm			
					A	B	C	D
HTC 091 n = 850 / 610 rpm								
091.212-...	2 x 35	25	304	502				
091.213-...	2 x 42	38	457	557	2350	1690		1x1750
091.214-...	2 x 42	50	607	613				
091.222-...	2 x 54	51	607	1004				
091.223-...	2 x 54	76	913	1115	4100	3440		2x1750
091.224-...	2 x 54	101	1214	1227				
091.232-...	2 x 67	72	911	1500				
091.233-...	2 x 67	108	1370	1665	5850	5190		3x1750
091.234-...	2 x 80	144	1822	1830				
091.242-...	2 x 67	93	1214	1996				
091.243-...	2 x 80	139	1827	2214	7600	6940	3440	4x1750
091.244-...	2 x 80	186	2429	2432				
091.252-...	2 x 80	114	1518	2493				
091.253-...	2 x 80	171	2284	2764	9350	8690	5190	5x1750
091.254-...	2 x 80	228	3036	3035				
HTC 100 n = 670 / 520 rpm								
100.212-...	2 x 35	25	304	502				
100.213-...	2 x 35	38	457	557	2350	1690		1x1750
100.214-...	2 x 42	50	607	613				
100.222-...	2 x 42	51	607	1004				
100.223-...	2 x 54	76	913	1115	4100	3440		2x1750
100.224-...	2 x 54	101	1214	1227				
100.232-...	2 x 54	72	911	1500				
100.233-...	2 x 67	108	1370	1665	5850	5190		3x1750
100.234-...	2 x 67	144	1822	1830				
100.242-...	2 x 67	93	1214	1996				
100.243-...	2 x 67	139	1827	2214	7600	6940	3440	4x1750
100.244-...	2 x 80	186	2429	2432				
100.252-...	2 x 67	114	1518	2493				
100.253-...	2 x 80	171	2284	2764	9350	8690	5190	5x1750
100.254-...	2 x 80	228	3036	3035				
HTC 100 n = 420 / 310 rpm								
100.212-...	2 x 35	25	304	502				
100.213-...	2 x 35	38	457	557	2350	1690		1x1750
100.214-...	2 x 35	50	607	613				
100.222-...	2 x 42	51	607	1004				
100.223-...	2 x 54	76	913	1115	4100	3440		2x1750
100.224-...	2 x 54	101	1214	1227				
100.232-...	2 x 54	72	911	1500				
100.233-...	2 x 54	108	1370	1665	5850	5190		3x1750
100.234-...	2 x 54	144	1822	1830				
100.242-...	2 x 54	93	1214	1996				
100.243-...	2 x 67	139	1827	2214	7600	6940	3440	4x1750
100.244-...	2 x 67	186	2429	2432				
100.252-...	2 x 67	114	1518	2493				
100.253-...	2 x 67	171	2284	2764	9350	8690	5190	5x1750
100.254-...	2 x 80	228	3036	3035				

Air Cooled Condensers

HTC

HTC 076 / 090 / 091 / 100 . 2••
Vertical Air Direction

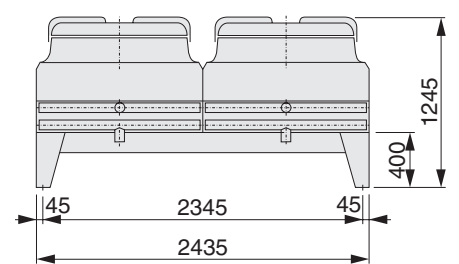
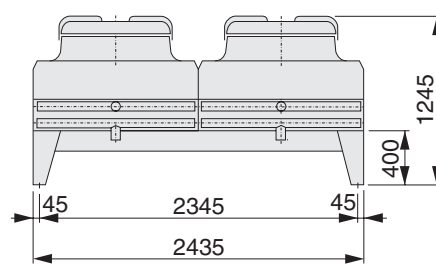
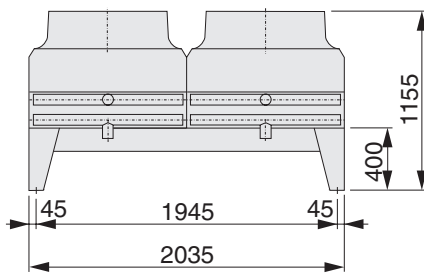
Side View



HTC 076 . 2••

HTC 090 / 091 . 2••

HTC 100 . 2••

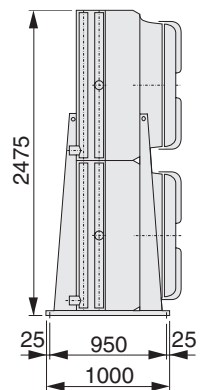
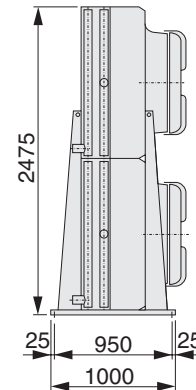
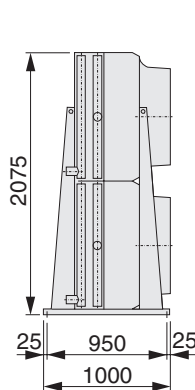
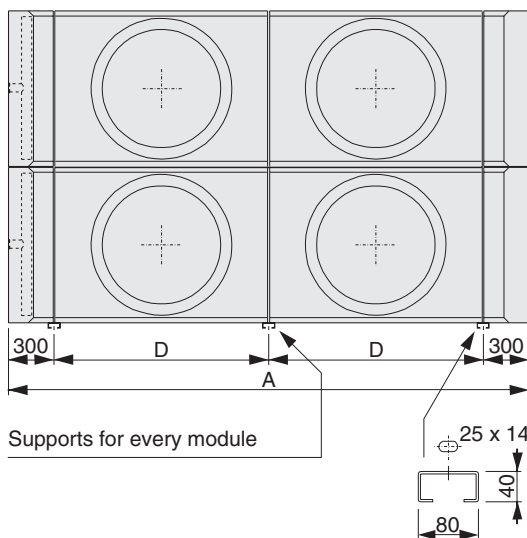


HTC 076 / 090 / 091 / 100 . 2••
Horizontal Air Direction

HTC 076.2••

HTC 090/091. 2••

HTC 100. 2••



Air Cooled Condensers

HTC

Fan types

All fan types have corrosion resistant fan blades and fan guards.

HTC Type 050

Fans ø 508 mm, complete with protection guards and anti vibration mountings.
Standard execution with fan motors type 050.910.
Terminal boxes are provided with 2 cable inlets M20 x 1.5.

HTC Type 076

Fans ø 762 mm mounted on a motor support.
Fan guards are integrated in the fan plate.
Standard execution with fan motors type 076.930.
Motors are wired to one or more common terminal boxes. The terminal boxes are located on the endplate at the liquid header end of the coil.

HTC Type 090 / 091

Fans ø 900 mm, fan motors integrated with guards and mounted to fan discharge hood.

HTC Type 100

Similar in construction to type 090 / 091, fan diameter however 1000 mm.

All fan motors of HTC models **090**, **091** and **100** are equipped with an overload protector built in the windings. Via terminals in the terminal box this internal protector **must** be used in the control current circuit. The electrical control should be arranged in such a way that continuous on/off switching of the motors ('tripping') is prevented.
When the condensers are out of use for longer periods, the motors have to be switched on for at least 2 hours every month.

HTC Type 050 - 100

For application at ambient temperatures above 40 °C : special motors on request.

Fan motors

Motor type	Number of poles	rpm	Capacity		Motor voltage Volt	Thermal overload relay settings (A) * 230 / 400
			nominal Watt	absorbed Watt		

HTC type 050 (enclosed design, IP-55)

050 . 910	6	910	180	350	230/400/50/3	1.49 / 0.86
050 . 690	8	690	120	250	230/400/50/3	1.16 / 0.67
050 . 470	12	470	25	100	230/400/50/3	0.55 / 0.32
050 . 1420	4	1420	370	600	230/400/50/3	2.42 / 1.40
050 . VAR	6	var.	180	350	230/50/1	2.36 **

HTC type 076 (enclosed design, IP-55)

076 . 930	6	930	750	1170	230/400/50/3	5.0 / 2.9	
076 . 690	8	690	370	560	230/400/50/3	2.6 / 1.5	
076 . 325	16	325	120	290	230/400/50/3	2.0 / 1.2	
076 . 425	YI	6	935	750	1420	400/50/3	3.1
	YII	12	425	150	300	400/50/3	1.1
076 . 930	M	6	930	750	1170	230/50/1	8.0
076 . VAR		6	var.	750	1000	230/50/1	8.4 **
076 . 840		8	840	660	770	230-254/400-440/60/3	4.8 / 2.8

HTC type 090 (enclosed design, IP-54)

090 . 850	Δ	-	850	3300	400/50/3	6.93
	Y	-	610	1900	400/50/3	3.85
090 . 680	Δ	-	680	1750	400/50/3	3.96
	Y	-	520	1200	400/50/3	2.53
090 . 860	Δ	-	830	1600	400/50/3	3.85
	Y	-	610	910	400/50/3	1.98

HTC type 091 (enclosed design, IP-54)

091 . 850	Δ	-	850	3300	400/50/3	6.93
	Y	-	610	1900	400/50/3	3.85
091 . 680	Δ	-	680	1750	400/50/3	3.96
	Y	-	520	1200	400/50/3	2.53
091 . 860	Δ	-	830	1600	400/50/3	3.85
	Y	-	610	910	400/50/3	1.98

HTC type 100 (enclosed design, IP-54)

100 . 670	Δ	-	650	2200	400/50/3	4.6
	Y	-	460	1350	400/50/3	3.0
100 . 420	Δ	-	420	860	400/50/3	2.2
	Y	-	310	500	400/50/3	1.07
100 . 380	Δ	-	380	670	400/50/3	1.54
	Y	-	250	330	400/50/3	0.74

* The settings can be applied to a minimum ambient temperature of -10 °C

** Value at highest speed.

Note : Actual fan speed may differ from the values as indicated on the motor name plate.

Air Cooled Condensers

HTC

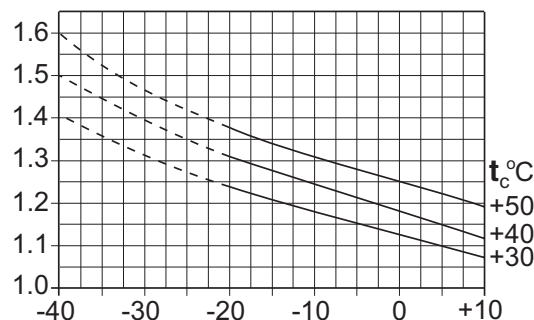
Factors for calculation of the condenser capacity

The condenser capacity is the compressor capacity multiplied with the factor from the diagram. The diagrams are valid for R 404A. At evaporating temperatures below -20 °C the condenser capacity has to be calculated from the compressor capacity at -20 °C, or a starting control should be used to protect the compressors from high starting loads.

OPEN compressors

SEMI-HERMETIC compressors
(motor air/water cooled)

Factor

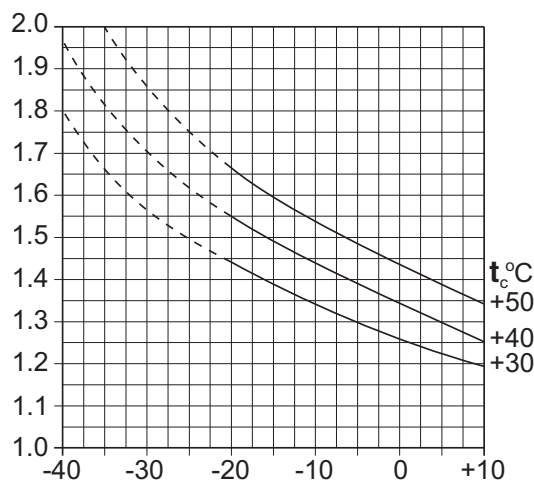


Evaporating temperature °C

SEMI-HERMETIC compressors
(motor suctiongas cooled)

HERMETIC compressors

Factor



Evaporating temperature °C

Capacity

The basic capacity ratings (pages 4, 5 and 8, 9) are for R404A at a t_d * of 15 K and ambient temperatures up to 25 °C.

* t_d = difference between condensing- and ambient temperature.

Capacities are directly proportional with other temperature differences between 10 and 20 K.

The refrigerant circuiting is optimised to the selected fan speed. When selecting a condenser model with two fan speeds a 'first choice' fan speed has to be given to which the refrigerant circuiting will be designed. The condenser capacity for the 'second choice' fan speed can be up to 10 % below the stated capacity.

Correction factors

		Factor
Refrigerant	R 404A, R 507	1.00
	R 134a	0.93
	R 407C	0.87
	R 22	0.96
Ambient temperature :	25 °C	1.00
	35 °C	0.96
	40 °C	0.94
	50 °C (special motor)	0.91
Altitude above sea level :	0 m	1.00
	500 m	0.97
	1000 m	0.93
	1500 m	0.90
	2000 m	0.86
	2500 m	0.83
Application of motors suitable for 60 Hz with n = 840 rpm		0.95

Example : HTC 076 . 124 - 60 Hz fans

What is the condenser capacity at an ambient temperature of 40 °C, refrigerant R404A, altitude at sea level and equipped with motors for 60 Hz ?

Nominal capacity at 15 K tv	: 110.7 kW
Correction factors : t = 40 °C	: 0.94
altitude sea level	: 1.00
60 Hz motors	: 0.95

Corrected capacity :
0.94 x 1.00 x 0.95 x 110.7 = 98.9 kW

Capacity control

For multifan models capacity can be controlled by cycling one or more fans. Capacity control on all models is also possible by using 2-speed or speed regulated single phase motors (in combination with an electronic speed control device).

The fan compartments are separated by baffle plates.

Air Cooled Condensers

HTC

Multi circuiting

Condensers can be supplied (at extra cost) with multi circuiting.

Soundlevels dB(A)

The soundlevels in the tables on pages 4, 5, 8 and 9 are the results of tests in free field conditions. The values are measured in the horizontal plane at a distance of 10 m. More information on request.

The table below gives sound level corrections at various distances.

Distance m	Correction dB(A)
1	+ 20
2	+ 14
3	+ 10
4	+ 8
5	+ 6
10	0
20	- 6
50	- 14
100	- 20

Extended feet

Extended feet can be supplied as optional extra for condenser models 076, 090, 091 and 100. These feet are supplied separately. The standard feet height gives 400 mm free space under the condenser. Extended feet are available for heights of 600 mm.

Transport

All models are provided with lifting lugs. To avoid damage during hoisting, a hoisting beam should be used, by which the given angles are to be considered. Beware of shocks during transport and handling (sudden lifting).

Mounting

Refrigerant pipework connections are to be soldered free of tension. When connecting more than one condenser in parallel the pressure drop on the refrigerant side has to be considered.

Location

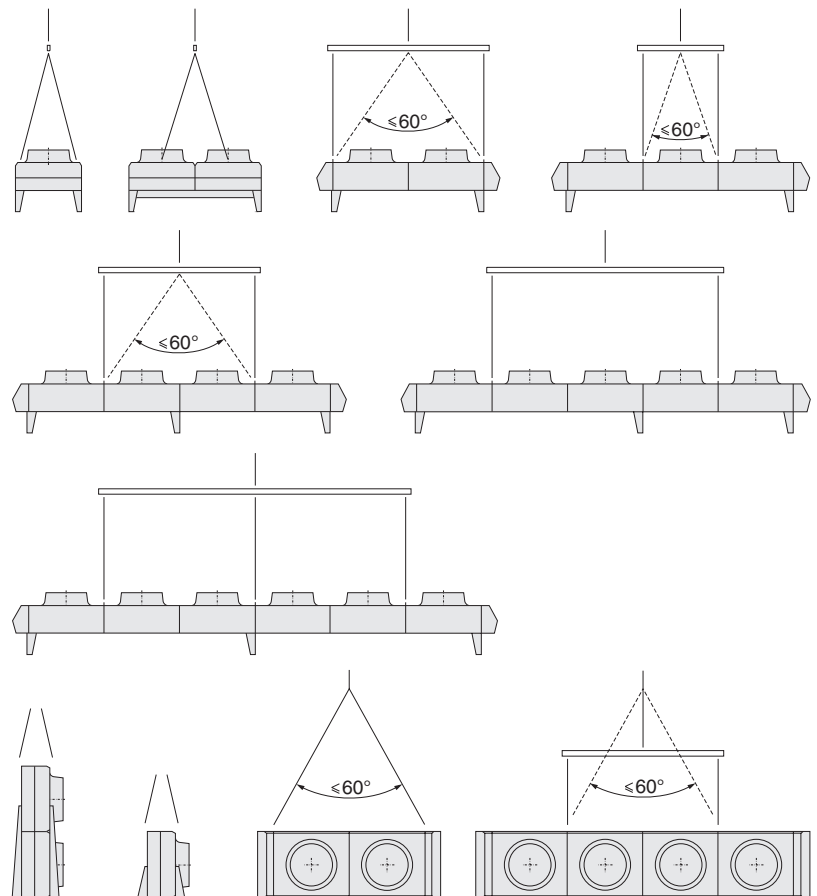
Air movement

Condensers should be positioned to achieve the following criteria :

- Adequate space (min. 1.0 metre) must be left for free entry to the coil inlet face.
- No restrictions to the air discharge.
- No possibility of direct air recirculation (short circuiting of air).

Installation and maintenance

For more information on installation and maintenance of air cooled condensers model HTC we refer to our brochure nr. 88.02 ("Installation and Maintenance Instructions for Aircooled Condensers"). This brochure is issued with every condenser.



HELPMAN

since 1924

Independent supplier

Helpman BV

PO Box 44

NL-9700 AA Groningen

Tel. ++31 50-5217555

Fax ++31 50-5264878

E-mail info@helpman.com

Internet www.helpman.com

